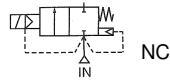


Media: vacuum (10 Torr) - air - water - light oil  
 Pressure range: 0 to 10 bar max  
 Media temperature: 90 °C  
 Ambient temperature: -30° to +40 °C  
 Media viscosity: 50 centistokes  
 Mounting: preferred coil upright  
 Opening / Closing 100 mSec Max



# 2/2 Stainless

## N/CLOSED

### 2 WAY ASSISTED LIFT

## TYPE MD316M16



#### PRESSURE

Ø Port BSPT	Ø Orifice (mm)	Flow Rate Cv Ltr/ min	Pressure Rating (Bar)			Seals	Max Media Temp. °C	Part Number
			Min ΔP	Max ΔP Air/ Water	Max ΔP Oil			
1/2	16	61.7	0	10	7	EPDM NBR	90	MD15316M16E + voltage MD15316M16N + voltage
3/4	23	105.0	0	10	7	EPDM NBR	90	MD20316M16E + voltage MD20316M16N + voltage
1	28	133.3	0	10	7	EPDM NBR	90	MD25316M16E + voltage MD25316M16N + voltage
1 1/4	32	217	0	10	7	EPDM NBR	90	MD32316M16E + voltage MD32316M16N + voltage
1 1/2	40	338	0	10	7	EPDM NBR	90	MD40316M16E + voltage MD405316M16N + voltage
2	50	533	0	10	7	EPDM NBR	90	MD50316M16E + voltage MD50316M16N + voltage

#### OPTIONS

Connector PG9 – DIN 43650 A  
 IP65 Coil  
 NPT Thread

#### ELECTRICAL DATA

Voltage (-10% + 10%)	Coil Size	Power		Insulation class	Enclosure	Electrical connections
		Inrush	Holding			
~ 24 - 110 - 230 (50 or 60 Hz)	M16	50VA	26VA	F 155°C	IP 65 with connector	3 spades DIN 43650 DIN 40050 VDE 0110
= 24 (DC)		21 Watts				

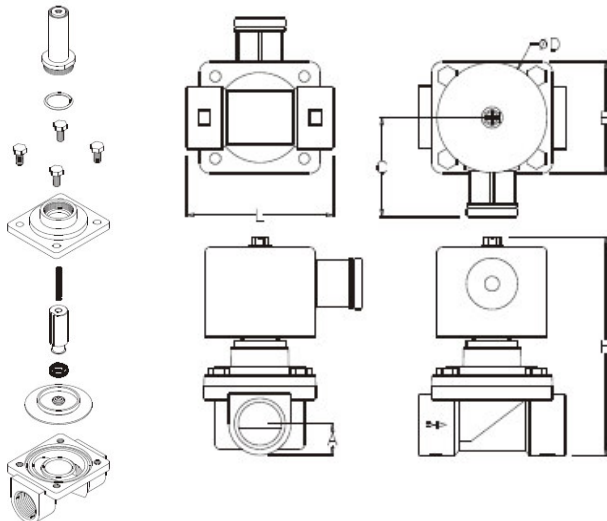
#### CONSTRUCTION

Body: 316 Stainless Steel (CF8M)  
 Tube and internal parts: 304, 430F Stainless steel  
 Seals and gaskets: EPDM (Optional NBR)  
 Moulded coil: Resin F rated

#### REPAIR KIT

Diaphragm seal	MDSUS + orifice + material
Coil	M16 + Voltage
Complete plunger + O' rings	KIT + valve part number

#### OVERALL DIMENSIONS



Model	Port	L	B	C	H	Kg
MD15	1/2	70	52	51	112	0.8
MD20	3/4	80	62	61	122	1
MD25	1	90	72	71	132	1.25
MD32	1 1/4	120	136	82	138	1.9
MD40	1 1/2	136	146	96	145	2.6
MD50	2	160	156	112	160	4